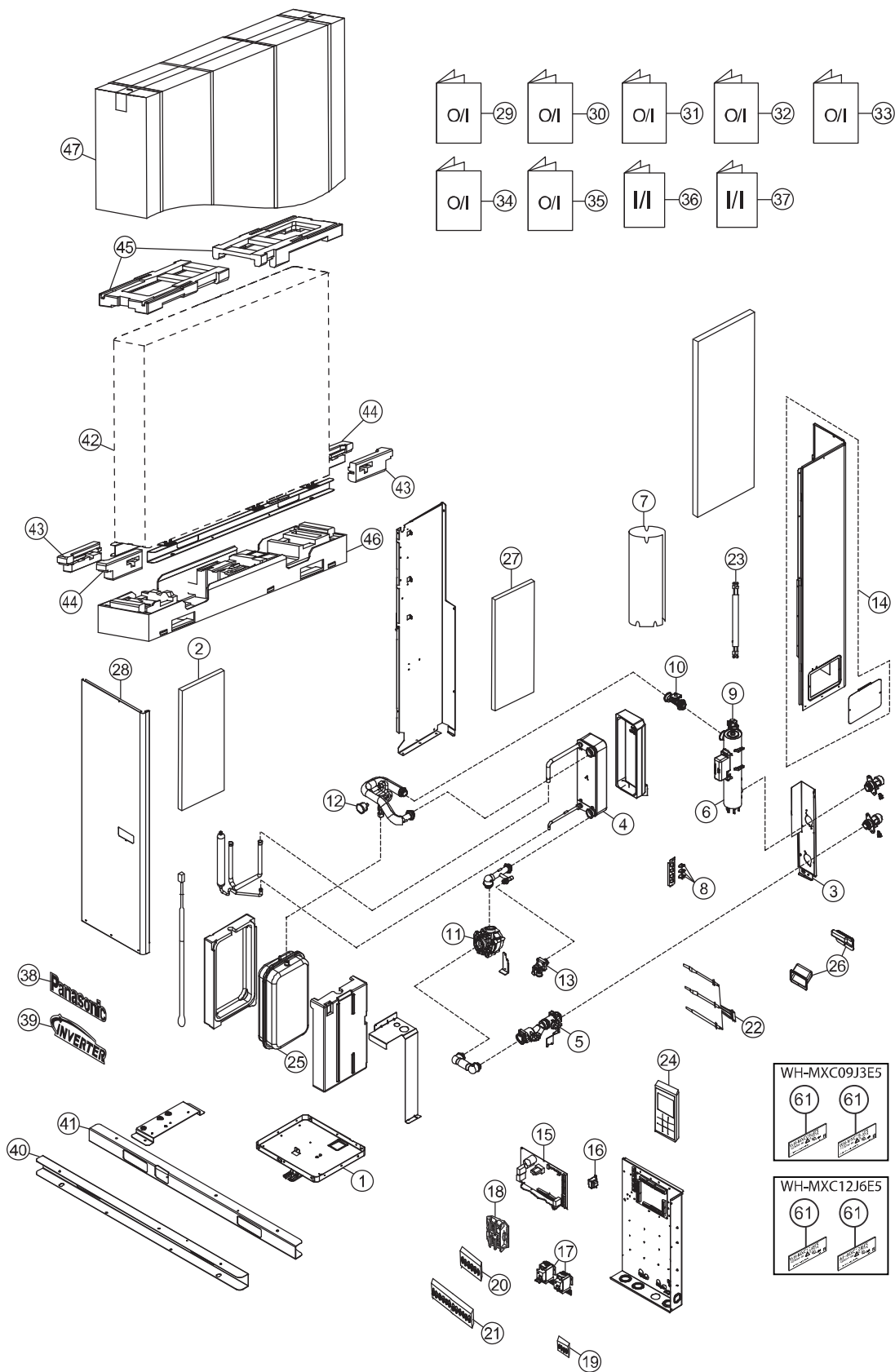


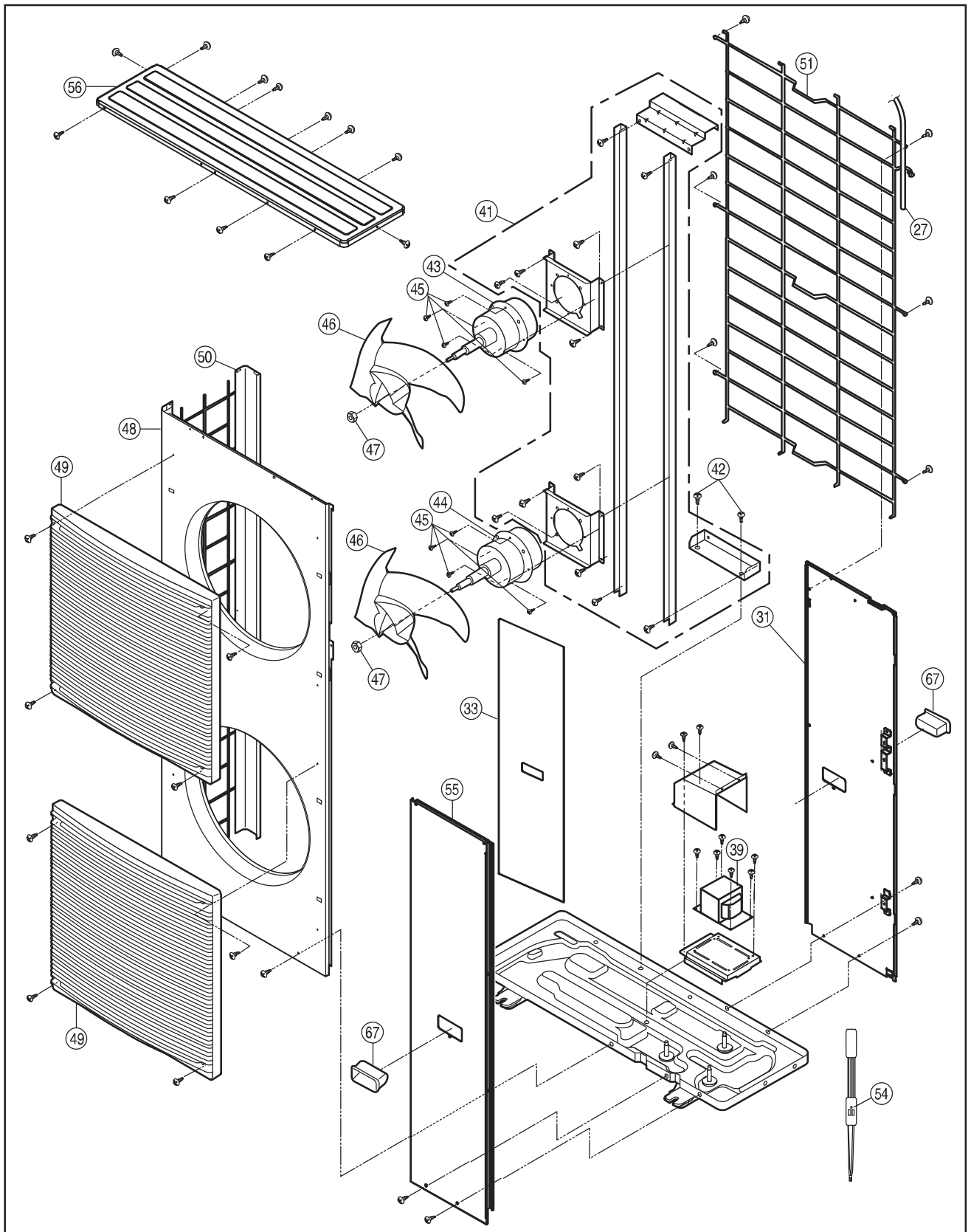
# 21.Exploded View and Replacement Parts List

## 21.1 Water System

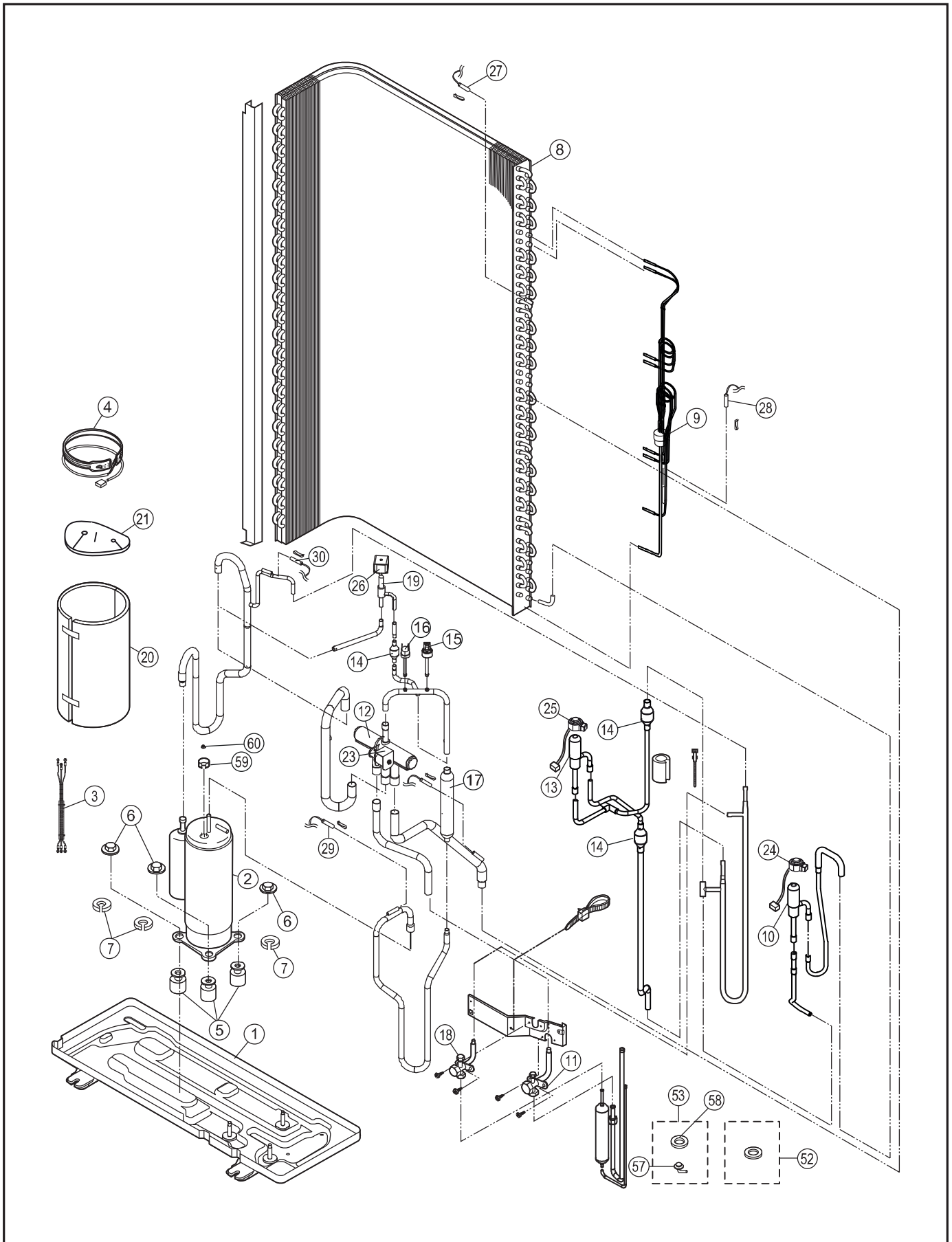


**Note:**  
 The above exploded view is for the purpose of parts disassembly and replacement.  
 The non-numbered parts are not kept as standard service parts.

## 21.2 Refrigerant System



Note:  
The above exploded view is for the purpose of parts disassembly and replacement.  
The non-numbered parts are not kept as standard service parts.



Note:  
 The above exploded view is for the purpose of parts disassembly and replacement.  
 The non-numbered parts are not kept as standard service parts.



<Water System>

SAFETY	REF. NO.	DESCRIPTION & NAME	QTY.	WH-MXC09J3E5	WH-MXC12J6E5	REMARK
	1	BASE PAN ASS'Y	1	ACXD52K02760	←	
	2	SOUND PROOF MATERIAL	1	CWG302594	←	
	3	HOLDER COUPLING	1	ACXH35-01510A	←	
	4	HOT WATER COIL-COMplete	1	ACXB90C01450	←	
	5	FILTER COMPLETE	1	ACXB51C00100	←	
⚠	6	HEATER ASS'Y	1	ACXA34K00490	ACXA34K00500	
	7	SOUND PROOF MATERIAL	1	ACXG30-10192	ACXG30-07663	
⚠	8	THERMOSTAT	2/3	CWA151074	←	
	9	AIR PURGE VALVE	1	ACXB62-00130	←	
	10	FLOW SWITCH	1	ACXB62-00930	←	
⚠	11	PUMP	1	ACXB53-00390	←	
	12	PRESSURE GAUGE	1	CWB070003	←	
	13	PRESSURE RELIEF VALVE	1	ACXB62-00740	←	
	14	CABINET SIDE PLATE	1	ACXE04-12210A	←	
⚠	15	ELECTRONIC CONTROLLER (MAIN)	1	ACXA73C70280	ACXA73C70290	
⚠	16	REACTOR	1	G0C103Z00003	←	
⚠	17	CIRCUIT BREAKER	2	CWA181005	←	
⚠	18	TERMINAL BOARD ASS'Y(A,B)	1	CWA28K1238	←	
⚠	19	TERMINAL BOARD ASS'Y(1,2,3,4,5,6)	1	CWA28K1341	←	
⚠	20	TERMINAL BOARD ASS'Y(7,8,9,10,11,12)	1	CWA28K1340	←	
⚠	21	TERMINAL BOARD ASS'Y(13,14,15,16,17,18)	1	CWA28K1343	←	
⚠	22	SENSOR-COMplete(WATER IN,OUT, REF TEMP)	1	ACXA50C16670	←	
⚠	23	SENSOR-COMplete(HEX WATER OUTLET)	1	ACXA50C13140	←	
⚠	24	REMOTE CONTROL COMPLETE	1	ACXA75C15751	←	
⚠	25	RECEIVER	1	CWB141039	←	
	26	HANDLE	4	ACXE16-00100	←	
	27	SOUND PROOF MATERIAL	1	CWG302599	←	
	28	CABINET FRONT PLATE	1	ACXE06-03550A	←	
	29	OPERATING INSTRUCTION	1	ACXF55-29310	←	
	30	OPERATING INSTRUCTION	1	ACXF55-29320	←	
	31	OPERATING INSTRUCTION	1	ACXF55-29330	←	
	32	OPERATING INSTRUCTION	1	ACXF55-29340	←	
	33	OPERATING INSTRUCTION	1	ACXF55-29350	←	
	34	OPERATING INSTRUCTION	1	ACXF55-29360	←	
	35	OPERATING INSTRUCTION	1	ACXF55-29370	←	
	36	INSTALLATION INSTRUCTION	1	ACXF60-41770	←	
	37	INSTALLATION INSTRUCTION	1	ACXF60-41780	←	
	38	PANASONIC BADGE	1	CWE373439	←	
	39	INVERTER BADGE	1	CWE373441	←	
	40	CONNECTING BAR	1	CWE261313A	←	
	41	CONNECTING BAR	1	CWE261214A	←	
	42	BAG	1	CWG861452	←	




SAFETY	REF. NO.	DESCRIPTION & NAME	QTY.	WH-MXC09J3E5	WH-MXC12J6E5	REMARK
	43	SHOCK ABSORBER	2	CWG713660	←	
	44	SHOCK ABSORBER	2	CWG713661	←	
	45	SHOCK ABSORBER	2	CWG713662	←	
	46	BASE BOARD-COMPLETE	1	ACXG62C02080	←	
	47	C.C.CASE	1	ACXG50-57120	←	
	61	MODEL LABEL	2	ACXF85-62530	ACXF85-62520	

**Note:**

- All parts are supplied from PAPAMY, Malaysia (Vendor Code: 00029488).
- "O" marked parts are recommended to be kept in stock.

<Refrigerant System>

SAFETY	REF. NO.	DESCRIPTION & NAME	QTY.	WH-MXC09J3E5	WH-MXC12J6E5	REMARK
	1	BASE PAN ASS'Y	1	CWD52K1276	←	
⚠	2	COMPRESSOR	1	9JD420XAA22	←	
⚠	3	LEADWIRE COMPRESSOR	1	ACXA60C62280	←	
⚠	4	CRANKCASE HEATER	1	ACXA34-00110	←	
	5	BUSHING - COMPRESSOR MOUNT	3	CWH50055	←	
	6	NUT-COMPRESSOR MOUNT	3	CWH561049	←	
	7	PACKING	3	CWB811017	←	
	8	CONDENSER COMPLETE	1	ACXB32C23050	←	
	9	TUBE ASSY (CAP.TUBE)	1	ACXT07K09170	←	
	10	EXPANSION VALVE	1	CWB051029	←	
	11	3-WAYS VALVE (GAS)	1	CWB011699	←	
	12	4-WAYS VALVE	1	CWB001046	←	
	13	EXPANSION VALVE	1	CWB051091	←	
	14	STRAINER	3	CWB111032	←	
⚠	15	HIGH PRESSURE SENSOR	1	ACXA50-05990	←	
⚠	16	PRESSURE SWITCH	1	ACXA10-00650	←	
	17	DISCHARGE MUFFLER	1	ACXB12-01450	←	
	18	3-WAYS VALVE(LIQUID)	1	CWB011700	←	
	19	2-WAYS VALVE(LIQUID)	1	CWB021637	←	
	20	SOUND PROOF MATERIAL	1	ACXG30-11370	←	
	21	SOUND PROOF MATERIAL	1	ACXG30-11380	←	
	22	SOUND PROOF BOARD	1	CWH151085	←	
⚠	23	V-COIL COMPLETE(4 WAY VALVE)	1	CWA43C2169J	←	
⚠	24	V-COIL COMPLETE(MAIN EXPANSION VALVE)	1	ACXA43C06900	←	
⚠	25	V-COIL COMPLETE(BYPASS EXPANSION VALVE)	1	CWA43C2335	←	
⚠	26	V-COIL COMPLETE(2-WAY VALVE)	1	CWA43C2607	←	
⚠	27	SENSOR-COMP.(OUTDOOR AIR,PIPE TEMP)	1	CWA50C2730	←	
⚠	28	SENSOR-COMP.(DEFROST TEMP)	1	CWA50C2577	←	
⚠	29	SENSOR-COMP.(DISCHARGE TEMP)	1	CWA50C2576	←	
⚠	30	HIGH PRESSURE SENSOR	1	CWA50C3165	←	
	31	CABINET REAR PLATE-COMPLETE	1	ACXE02-02020A	←	
	32	CONTROL BOARD CASING	1	CWH10K1228	←	
	33	SOUND PROOF MATERIAL	1	CWG302598	←	
⚠	34	TERMINAL BOARD ASS'Y(U,V,W,A)	1	CWA28K1334	←	
⚠	35	TERMINAL BOARD ASS'Y(1,2,3)	1	CWA28K1213	←	
⚠	36	ELECTRONIC CO.(CAPACITOR)	1	ACXA73-36390	←	
⚠	37	ELECTRONIC CO.(NOISE FILTER)	1	ACXA73-36910	←	
⚠	38	ELECTRONIC CONTROLLER (MAIN)	1	ACXA73C70410R	ACXA73C70420R	
⚠	39	REACTOR	1	G0C592J00006	←	
⚠	40	ELECTRO MAGNETIC SWITCH	1	K6C1AYY00003	←	
	41	FAN MOTOR BRACKET	1	ACXD54K02340	←	
	42	SCREW-FAN MOTOR BRACKET	2	CWH551040J	←	

SAFETY	REF. NO.	DESCRIPTION & NAME	QTY.	WH-MXC09J3E5	WH-MXC12J6E5	REMARK
	43	FAN MOTOR(UPPER)	1	L6CBYYYYL0362	←	
	44	FAN MOTOR(LOWER)	1	L6CBYYYYL0363	←	
	45	SCREW-FAN MOTOR MOUNT	8	CWH551323	←	
	46	PROPELLER FAN ASSY	2	CWH00K1006	←	
	47	NUT	2	CWH561092	←	
	48	CABINET FRONT PLATE	1	CWE061098A	←	
	49	DISCHARGE GRILLE	2	CWE201154	←	
	50	CABINET SIDE PLATE ASS'Y	1	CWE04K1023A	←	
	51	WIRE NET	1	CWD041069	←	
	52	ACCESSORY CO.(RUBBER CAP)	1	CWH82C1839	←	
	53	ACCESSORY CO.(DRAIN ELBOW)	1	CWG87C900	←	
	54	HEATER	1	CWA341071	←	
	55	CABINET FRONT PLATE	1	CWE061274A	←	
	56	CABINET TOP PLATE	1	CWE03C1105	←	
	57	FLEXIBLE PIPE (L-TUBE)	1	CWH5850080	←	
	58	PACKING-L.TUBE	1	CWB81012	←	
	59	TERMINAL COVER	1	CWH171051	←	
	60	GASKET FOR TERMINAL COVER	1	CWB811177	←	

**Note:**

- All parts are supplied from PAPAMY, Malaysia (Vendor Code: 00029488).
- "O" marked parts are recommended to be kept in stock.